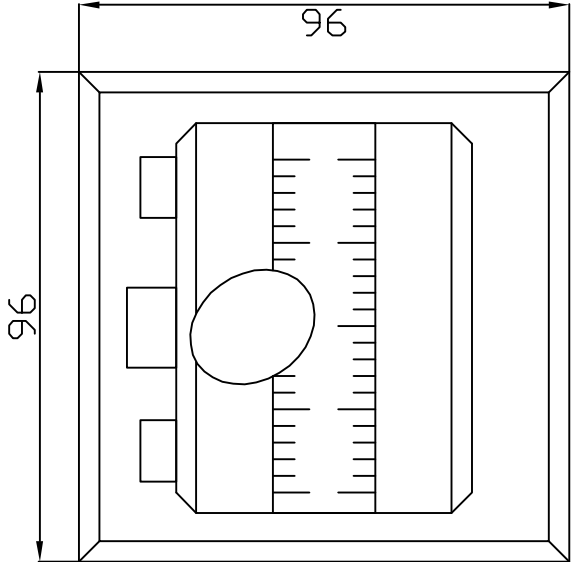
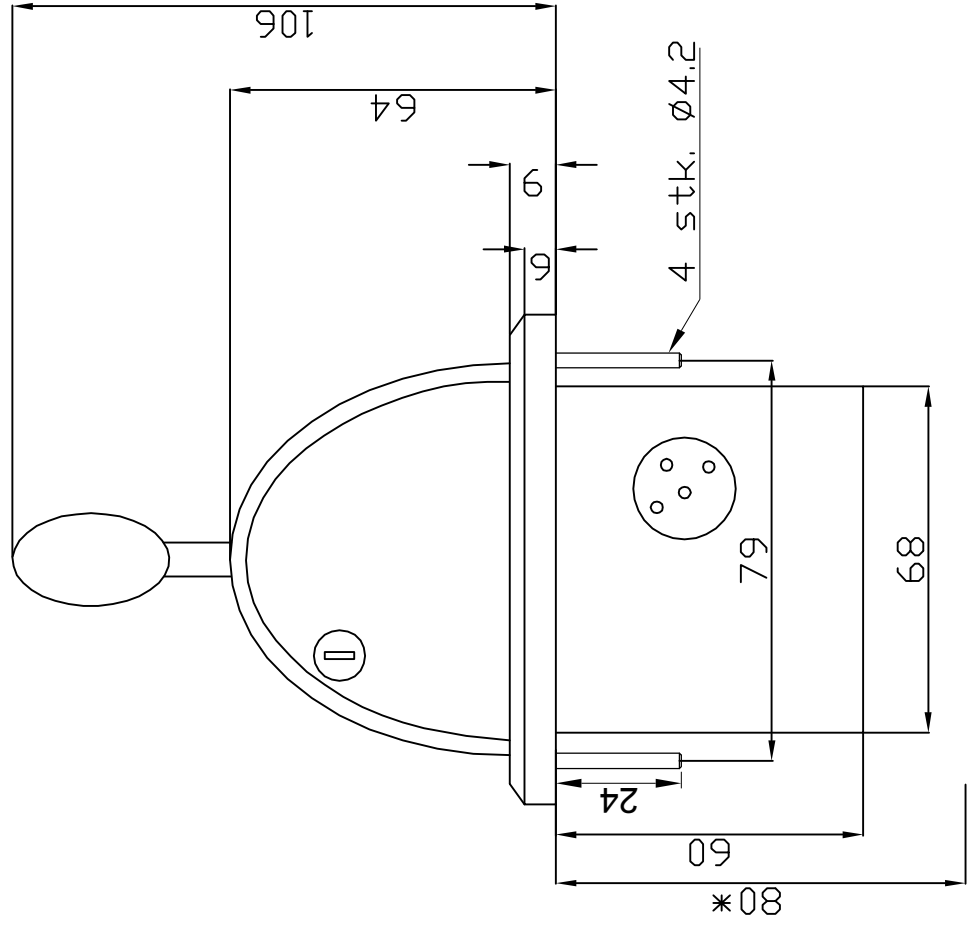



A



A



Description:		Control Joystick (CJ), CJ-02	
© 2009 by ABS HYDRO Ltd., Saint-Petersburg, Russia.		DRAWN:	SDS
		CHECKED:	ASK
Title:		DATE:	23-05-11
Overall dimensions			
Drawing number:	Rev:	Format:	Scale:
ABS.200704-02	00	A4	1:1
			Sheet
			1/1

NOTES:
 * – Recommended dimensions for the wires connections.