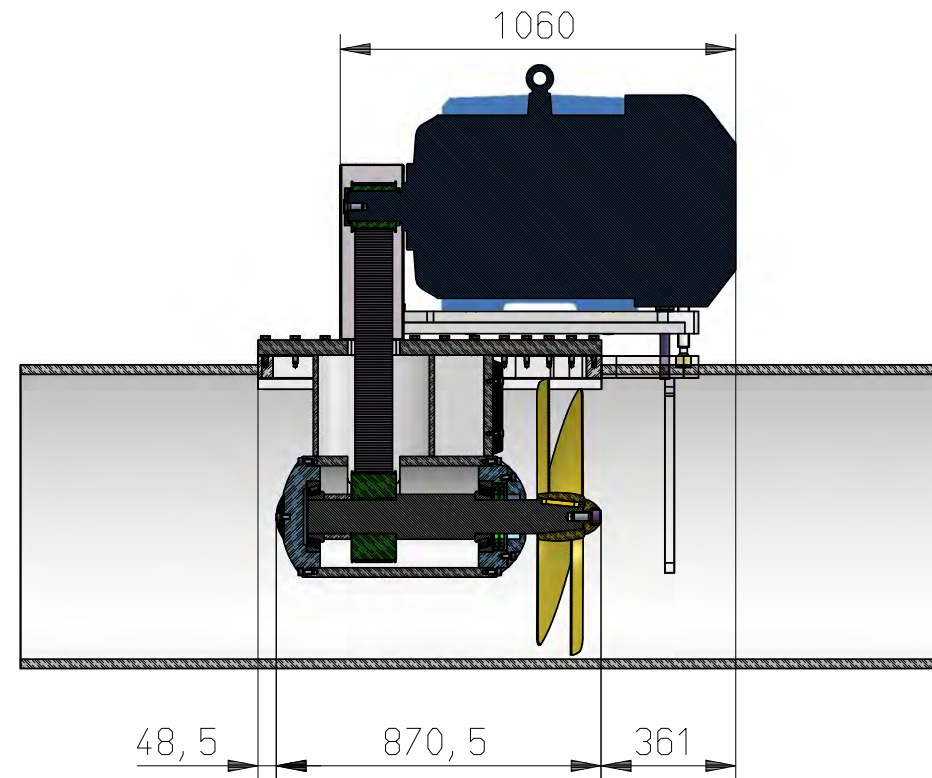


B-B



LENGTH TOLERANCES: NEN-ISO 2768-1-m

SURFACE ROUGHNESS: NEN-ISO 1101

FORM- AND PLACE TOLERANCES: NEN-ISO 2768-2

TITLE: **Bowthruster 99 kW AC**

DRAWN.: SWRH DATE: 09.08.2011

CHECK.: DATE:

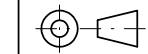


**ABS Veendam**  
*Unique into Hydraulics!*  
 De Zwaaiikom 3  
 9641 KV Veendam  
 www.abshydro.nl  
 tekenkamer@abshydro.nl

Unless otherwise stated:

Units: mm.  
 Roughness: 3.2/  
 Tolerance: 0,1  
 Chamfer: 0,5x45°

Projection: Am.



SCALE: 1:20

FORMAT: A3

DWG.NR.:

PAGE.: CHANGED:

**TAC-99-**

**01**

THIS DRAWING IS PROPERTY OF ABS VEENDAM AND SHALL NOT BE COPIED, USED OR LEND TO THIRD PARTIES WITHOUT PERMISSION OF ABS VEENDAM.